

www.GESecurity.com

KTD-410 Protocol Converter

Overview

The KTD-410 is a protocol converter that translates Digiplex® RS422 protocol to ASCII RS232 protocol and vice versa, making it possible to transmit data over standard telephone or fiber optic lines that do not accept constant data.

Outstanding Features

The KTD-410 can be programmed to function in one of two modes: Digiplex RS422 in/ASCII RS232 out or ASCII RS232 in/Digiplex RS422 out. Repeating and non-repeating messages can be transmitted. Repeating messages are terminated when the KTD-410 receives the stop-form of the original message, a competing command, or the special "universal cancel" command.

Depending on mode, the KTD-410's built-in LED can indicate when an ASCII signal or non-token Digiplex command is being sent, or when a Digiplex signal is being received.



Standard Features

- **Translates Digiplex RS422 protocol to ASCII RS232 protocol and vice versa**
- **Transmits repeating and non-repeating messages**
- **LED status indicator**
- **Compact: 4.18 x 2.4 x 1 inches**



KTD-410

Protocol Converter

Specifications

Electrical

- Input voltage: 9 VAC or 12 VDC
- Input power: 0.6 VA
- Input data: RS422 or RS232
- Output data: RS232 or RS422
- Output analog: 0 to 5 VDC

Controls

- 12-Position DIP switch data termination: DIP switch positions 11 and 12

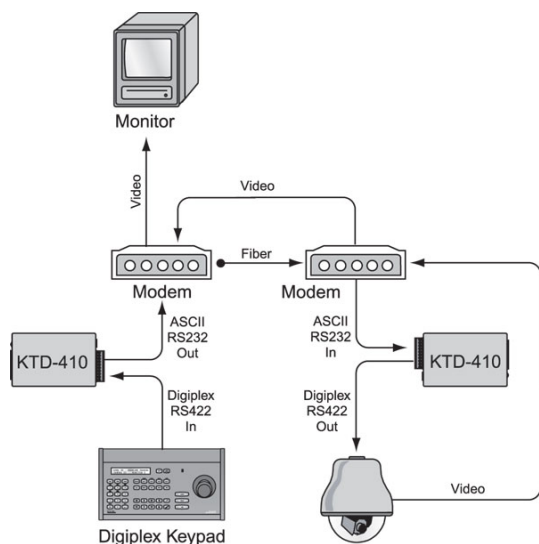
Mechanical

- Weight: 3.2 oz (91 g)
- Construction: Molded black ABS – UL 94 HB

Connections

- 10-Position Removable Terminal Strip
- Power: 5 mm DC power connector
- Data signal input: Terminal positions 1,2
- Data signal output: Terminal positions 3,4
- RS232 ASCII input: Terminal positions 5,7
- RS232 ASCII output: Terminal positions 6,7

Related Diagram



Ordering Information

KTD-410 

Blank KTD-410
U Protocol Converter w/ Universal Transformer



GE Security

Mailing Address
4575 Research Way, STE 250
Corvallis, OR 97333 USA
www.GESecurity.com

Americas
800-469-1676 (US only)
tel 541-754-9133
fax 541-754-7162

Asia
tel 852-2907-8108
fax 852-2142-5063

Australia
tel 61-3-9259-4700
fax 61-3-9259-4799

Europe
tel 32-2-725-11-20
fax 32-2-721-86-13

Latin America
tel 305-267-4301
fax 305-267-4300

www.GESecurity.com