

www.GESecurity.com

KTD-460 Alarm Input Module

Overview

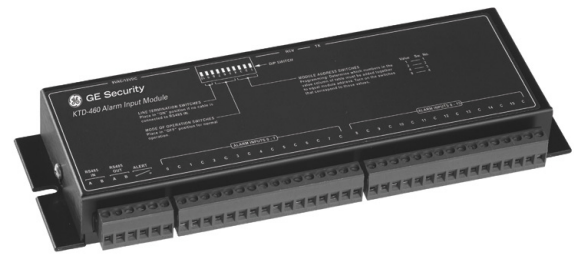
The KTD-460 is a Digiplex® system Alarm Input Module that monitors the status of up to 16 dry alarm contacts or voltage sources. Each alarm contact's status level—"normal," "alarm," or "trouble"—is transmitted to the KTD-463 Alarm Chassis.

A "normal" status indicates that the alarm contact has not been activated. "Alarm" indicates that the alarm contact has been activated. "Trouble" indicates that a short or break has occurred on the alarm input line. The alarm chassis processes this information and initiates alarm functions in response to alarm events. Each contact may be programmed for automatic camera call-up, site annunciation, or preset camera positioning.

Outstanding Features

The KTD-460 communicates with the KTD-463 via an RS485 signal over twisted-pair cable. Up to 16 KTD-460s, installed in remote locations, can be connected to one alarm chassis.

The KTD-460 features removable terminal strips for easy cable attachments. It also features LED status indicator lights and a 10-position DIP switch for module addressing and signal termination.



Standard Features

- **16 dry alarm contacts or voltage sources**
- **Three status levels: normal, alarm, and trouble**
- **Alarm output relay**
- **RS485 communication over twisted-pair cable**
- **Remote installation**
- **Removable terminal strips**
- **LED status indicator lights**
- **DIP switch programming**



KTD-460

Alarm Input Module

Specifications

Electrical

- Input voltage: 9 VAC/12 VDC
- Input power: 1.5 VA
- Input data: RS485
- Alarm inputs: Dry contacts or voltage sources with ability to sink 3.5 mA current.
- Output data: RS485
- Alarm output relay: 1 A @ 35 VDC

Connections

- RS485 in/out and auxiliary relay data: 6-pin removable terminal strip
- Alarm contacts data: Two 16-pin removable terminal strips
- Power 9 VAC data: 5 mm jack

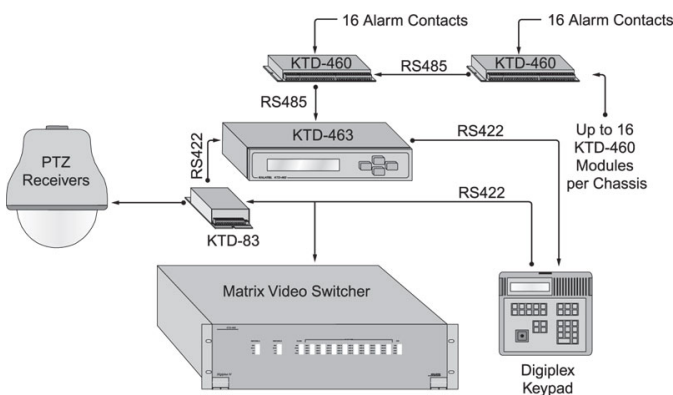
Mechanical

- Weight: 11.2 oz (318 g)
- Construction: 0.050 in (1.27 mm) aluminum
- Finish: Black anodized

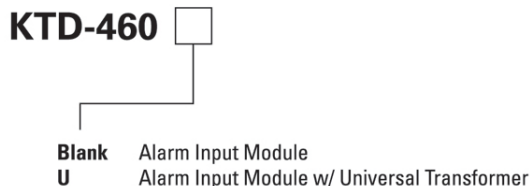
Alarm Contact Programming (via KTD-463)

- Site number: Assignable, 0 to 511
- Contact sense: Normally open or normally closed
- Video alarm: Video call-up on matrix switcher, yes or no
- Hold delay: Alarm hold after event, 0 to 14 seconds or infinite (cleared by keypad)
- Annunciation: Site annunciation on KTD-304/404, yes or no
- Find preset: Call up preset position on PTZ drive, yes or no
- Position: Preset position number, 1 to 64
- Report trouble: Enable or disable

Related Diagram



Ordering Information



Mailing Address
4575 Research Way, STE 250
Corvallis, OR 97333 USA
www.GESecurity.com

Americas
800-469-1676 (US only)
tel 541-754-9133
fax 541-754-7162

Asia
tel 852-2907-8108
fax 852-2142-5063
Australia
tel 61-3-9259-4700
fax 61-3-9259-4799

Europe
tel 32-2-725-11-20
fax 32-2-721-86-13
Latin America
tel 305-267-4301
fax 305-267-4300

www.GESecurity.com