

Accord is a complete integrated camera positioning system with remote control capability and weather-resistant pan/tilt and camera enclosures. Made of aluminum and high-strength composite components, the unit is durable and lightweight as well as ideal for severe conditions and sites that require rugged performance.

Accord comes with a sunshield and environmentally sealed enclosure that has an IP66 rating. Heaters in both the pan/tilt housing and camera enclosure come standard with each unit.

The unit is designed to operate in winds up to 155 miles per hour, sustain winds up to 200 miles per hour, and operate in temperatures between -30°F and 131°F. Pan rotation is 360 degrees (continuous), with proportional pan speeds ranging from 0.1 to 104 degrees per second. Tilt is ±90 degrees from the horizon with proportional speeds from 0.033 to 30 degrees per second. Pan/tilt preset positions are repeatable to ±0.25 degrees.

Simultaneous pan, tilt, zoom, and focus capability is provided. The system features 64 presets consisting of a pan/tilt position and zoom/focus settings. It allows creation of two tours consisting of 32 presets each and two shadow tours of four minutes each.

Not only is the unit easy to install, its durability means a long life with minimal maintenance. It comes standard with composite components and corrosion-resistant, powder-coated aluminum in colorfast off-white. Concealed wiring makes this housing system ideal for high-risk environments.

The Accord is available with three different camera options: the GEC-HDR1-DN day/night camera with wide dynamic range (WDR), 540 TV lines of resolution and 12x or 21x optical zoom; the 18x day/night camera with 18x optical zoom and 12x digital zoom; and the 26x day/night color and monochrome camera with 26x optical zoom and 12x digital zoom.

Features

- Fully concealed wiring and connection points
- Pan/tilt preset position repeatable to 0.25 degrees
- Self-calibrates upon power-up
- Provides “onscreen” video display for system setup, unit addressing, and status monitoring
- 64 preset positions
- Two preset tours with 16 positions per tour
- Two Shadow tours, 4 minutes per tour
- Weather-resistant housings with sunshield protect against direct sunlight exposure
- Included heaters extend low temperature operation and provide window deicing

Accord

Integrated camera positioning system





Specifications

Americas
 503-885-5700
 888-GE-SECURITY
 (437-3287)
 faxback 800-483-2495
 info@gesecurity.com
 www.gesecurity.com

Asia
 tel 852-2907-8108
 fax 852-2142-5063

Australia
 tel 61-3-9259-4700
 fax 61-3-9259-4799

Europe
 tel 32-2-725-11-20
 fax 32-2-721-86-13

Latin America
 tel 305-593-4301
 fax 305-267-4300

Pan/Tilt

- Input voltage: 24 VAC, 50/60 Hz, 4 A max.
- Pan range: 360° continuous
- Pan speed range: 0.1 to 104°/sec.
- Tilt range: ±90° (180° total) from horizon; can be positioned straight down or straight up
- Tilt speed range: 0.033 to 30°/sec.
- Position preset repeatability: 0.25°
- Drive-train: Long life drive-train with steel gear and worm (coated)
- Motor type: 1.8° stepper motor
- Wiring: Wires egress through bottom of unit with connector (mating connector supplied)
- Dimensions: 12.5 in. H x 9.9 in. W x 18.2 in. D (318 mm x 253 mm x 461 mm)
- Weight: 17.5 lb. (7.94 kg) includes pan/tilt and housing (no camera)

Housing

- Environmental enclosures: Gasketed and sealed, sunshield
- Hardware/wiring: Stainless steel hardware and concealed wiring
- Materials, housing: Aluminum 6061-T6 and composites

- Exterior color/finish: White powder-coated (Tiger Drylac 49/11350 White smooth mat Tribo) and composites
- Operating temperature: -30 to 122°F (-34 to 50°C)
- Window heater in camera housing, self-regulating
- Cartridge heater in pan/tilt housing, thermostatically controlled

Control

- RS-422: Control of pan/tilt from GE's KTD-405 keypad

Cameras

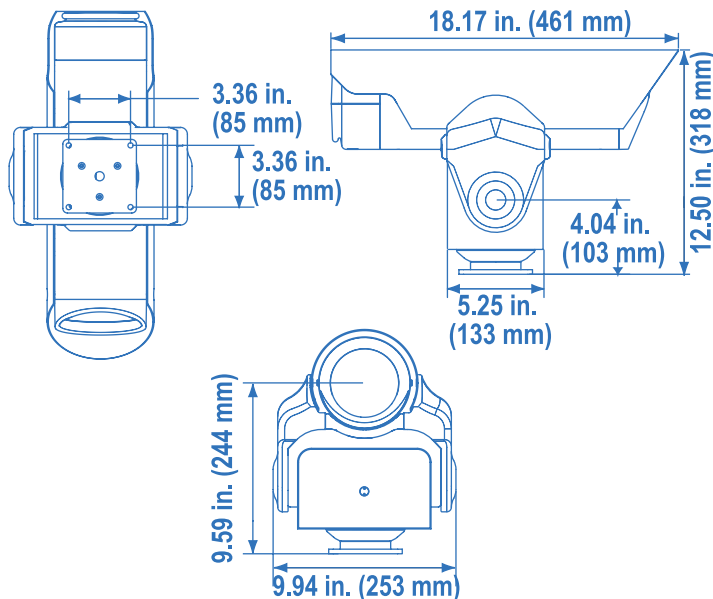
see GEC-HDR1-DN and CyberDome II data sheets for camera specifications

Optional Mounting Brackets

see "Accord mount specifications" for mount dimensions and features

- Wall-mount kit
- Corner-mount adapter kit (requires wall-mount kit)
- Pedestal-mount kit
- Pole-mount kit (supplied with both chains and stainless steel straps; requires wall-mount kit)

Dimensional diagram



Ordering information

PTZ-NC	Accord housing with no camera
PTZ-HDR1-12N	Accord housing with GEC-HDR day/night camera with 12x lens, NTSC version
PTZ-HDR1-12P	Accord housing with GEC-HDR day/night camera with 12x lens, PAL version
PTZ-HDR1-21N	Accord housing with GEC-HDR day/night camera with 21x lens, NTSC version
PTZ-HDR1-21P	Accord housing with GEC-HDR day/night camera with 21x lens, PAL version
PTZ-IC-18XDN	Accord housing with 18x day/night camera, NTSC version
PTZ-IC-18XDP	Accord housing with 18x day/night camera, PAL version
PTZ-IC-26XDN	Accord housing with 26x day/night camera
PTZ-IC-26XDP	Accord housing with 26x day/night camera, PAL version

Accessories

PTZ-WM	Wall-mount bracket kit
PTZ-PM	Pole-mount adapter (requires wall-mount kit)
PTZ-CM	Corner-mount adapter (requires wall-mount kit)
PTZ-PDM	Pedestal-mount bracket kit