

## Overview

Replace traditional analog dome cameras with the CamPlus™ IP Rugged Dome. The latest camera sensors and data signal processing technology combine with sharp MPEG-4 compression to send images quickly and easily over the network. The robust dome housing can be installed indoors or outdoors and is available with day/night capabilities for use in a variety of lighting conditions.

The high-resolution CamPlus IP Rugged Dome camera receives Power over Ethernet (PoE) for installation with only one cable, or from a 12 VDC/24 VAC universal input to provide top-quality video in any security network.

The IP Rugged Dome uses the latest MPEG-4 compression for dual streaming high-resolution D1 images over the network. Additionally, bandwidth is easy to manage for the specific needs of each network – it's even possible to set one stream to high bandwidth and the other low. Or stream the D1 images live to one location and stream to a recording station in a different location.

It's simple to use web browser software for remote configuration, to view images, and to upgrade firmware. Watch live video from anywhere in the world with Internet access. Multicast support allows multiple authorized users to connect, without bogging down the network or slowing down connection to recording locations.

CamPlus IP dome cameras are compatible with industry-standard protocols like SMTP and TCP/IP for broadband connectivity. With choices for different mounting environments and lighting conditions, a CamPlus IP camera will work for virtually any application.

## Standard Features

- Dual streaming capabilities
- MPEG-4 compression delivers excellent picture quality
- Configuration tools to control bandwidth usage
- Power over Ethernet allows easy, one-cable installation
- Compatible with larger legacy systems
- Options available for wide range of lighting conditions
- Redundant Ethernet connections for stability
- Analog output increases set-up options
- Ability to verify events with alarm input and output
- Optional bi-directional audio

# CamPlus IP Rugged Dome

high-resolution  
network dome camera



## Specifications

CamPlus IP Models	IP Rugged Dome	IP Rugged Dome Day/Night
<b>Features</b>		
Sensor	1/3-in. interline transfer double speed Super HAD CCD	1/3-in. interline transfer double speed Super HAD CCD
Signal System	NTSC or PAL standard	NTSC or PAL standard
Effective Pixels (HxV)	771 x 492 NTSC 753 x 582 PAL	771 x 492 NTSC 753 x 582 PAL
Horiz. Resolution	520 TVL	520 TVL
Sensitivity	0.015 lux @ F1.4 (20 IRE, SAGC on)	0.015 lux @ F1.4 (20 IRE, SAGC on)
Frame Integration	1x~32x	1x~32x
Dynamic Range	-	-
S/N Ratio	Better than 50 dB (AGC off)	Better than 50 dB (AGC off)
Synchronization	Line-lock	Line-lock
Motion Detection	Yes (3 windows)	Yes (3 windows)
Electronic Shutter	1/50 ~ 1/12000 sec (NTSC) 1/60 ~ 1/12000 sec (PAL)	1/50 ~ 1/12000 sec (NTSC) 1/60 ~ 1/12000 sec (PAL)
Auto Iris Control	DC	DC
BLC	Auto detect on/off	Auto detect on/off
Gain	0 ~ 18 dB	0 ~ 18 dB
White Balance	ATW	ATW
D/N Switching	-	Lens with I/R cut filter: auto
Alarm I/O	1 ea., TTL, terminal block	1 ea., TTL, terminal block
<b>Video</b>		
Compression	MPEG-4 ASP compliant	MPEG-4 ASP compliant
Picture Resolution	D1: 720 x 480 (NTSC) / 720 x 576 (PAL); CIF: 352 x 480 (NTSC) / 352 x 288 (PAL); QCIF: 160 x 112 (NTSC) / 176 x 144 (PAL)	D1: 720 x 480 (NTSC) / 720 x 576 (PAL); CIF: 352 x 480 (NTSC) / 352 x 288 (PAL); QCIF: 160 x 112 (NTSC) / 176 x 144 (PAL)
Bit Rate	28K ~ 3 Mbps	28K ~ 3 Mbps
Composite Output	1.0 V p-p with 75 ohms loading, BNC connector	1.0 V p-p with 75 ohms loading, BNC connector
<b>Audio</b>		
Compression	8 kHz, Mono, PCM	8 kHz, Mono, PCM
Line Input	Unbalanced, 1.4 V p-p, 1 Vrms, terminal block	Unbalanced, 1.4 V p-p, 1 Vrms, terminal block
Line Output	Unbalanced, 1.4 V p-p, 1 Vrms, terminal block	Unbalanced, 1.4 V p-p, 1 Vrms, terminal block
<b>Network</b>		
LAN Port	Ethernet (10/100 Base-T) RJ-45 connector	Ethernet (10/100 Base-T) RJ-45 connector
WAN Port	Ethernet (10/100 Base-T) RJ-45 connector	Ethernet (10/100 Base-T) RJ-45 connector
Protocol	TCP, UDP, IP, HTTP, DHCP, PPPoE, RTP, RTSP	TCP, UDP, IP, HTTP, DHCP, PPPoE, RTP, RTSP
Security	Password set by admin.	Password set by admin.
<b>Environmental</b>		
Operating Temperature	-22 to 122°F (-30 to 50°C)	-22 to 122°F (-30 to 50°C)
<b>Electrical</b>		
Input Voltage	12 VDC ± 10% / PoE (IEEE 802.3af) 12 VDC ± 10% / 24 VAC ± 10%	12 VDC ± 10% / PoE (IEEE 802.3af) 12 VDC ± 10% / 24 VAC ± 10%
Power Consumption	12 W max.	12 W max.
<b>Physical</b>		
Dimensions	2.05 x 5.55 x 2.76 in. (52 x 141 x 70 mm)	2.05 x 5.55 x 2.76 in. (52 x 141 x 70 mm)
Weight	1.2 lb. (540 g)	1.2 lb. (540 g)
<b>Regulatory Certifications</b>		
	FCC, CE, C-TICK, UL	FCC, CE, C-TICK, UL

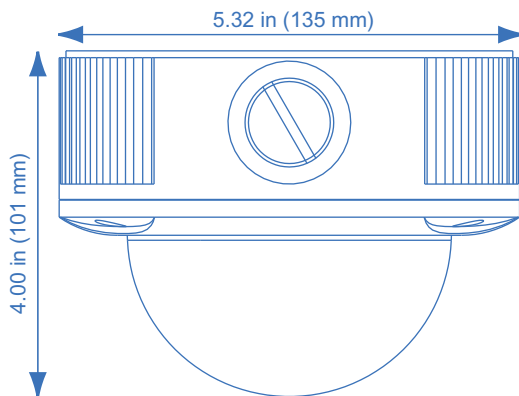
## Software



- Web Browser: Microsoft Internet Explorer 6.0 or above
- SDK: Active X Control, C SDK
- Security: Password protection, configured by the administrator

## Dimensional Diagrams

### CamPlus IP Rugged Dome



## Ordering Information

### CamPlus IP Rugged Dome

GEC-IPDRH-POE	CamPlus IP Rugged Dome camera with 520 TVL resolution, MPEG-4 compression, POE, 12 VDC
GEC-IPDRH-24VA	CamPlus IP Rugged Dome camera with 520 TVL resolution, MPEG-4 compression, 24 VAC
GEC-IPDRH-24VA-P	CamPlus IP Rugged Dome camera with 520 TVL resolution, MPEG-4 compression, 24 VAC, PAL

### CamPlus IP Rugged Dome with Day/Night

GEC-IPDRH-DN-POE	CamPlus IP Rugged Dome camera with day/night, 520 TVL resolution, MPEG-4 compression, POE, 12 VDC
GEC-IPDRH-DN-24VA	CamPlus IP Rugged Dome camera with day/night, 520 TVL resolution, MPEG-4 compression, 24 VAC
GEC-IPDRH-DN-24VA-P	CamPlus IP Rugged Dome camera with day/night, 520 TVL resolution, MPEG-4 compression, 24 VAC, PAL

Note: All 24 VA models will also accept 12 VDC.

# GE Security

North America  
T (503) 885-5700  
T 888-GE-SECURITY  
888-(437-3287)  
E [info@gesecurity.com](mailto:info@gesecurity.com)

Asia  
T 852-2907-8108  
F 852-2142-5063

Australia  
T 61-3-9259-4700  
F 61-3-9259-4799

Europe  
T 32-2-725-11-20  
F 32-2-721-40-47

Latin America  
T 305-593-4301  
F 305-593-4300

[www.gesecurity.com](http://www.gesecurity.com)

Specifications subject to change without notice.

©2007 General Electric Company  
All Rights Reserved



imagination at work