

[www.GESecurity.com](http://www.GESecurity.com)

## **KTD-314-1** Digiplex Code Converter

### **Overview**

The KTD-314-1 is an interface device that converts Digiplex® RS422 commands to a Pelco Coaxitron 9500 extended protocol output, enabling a Digiplex system to control Pelco receivers and domes. The output enables iris, focus, zoom, and preset control of a Pelco receiver. One KTD-314-1 is required for each Pelco receiver in a Digiplex system.

### **Outstanding Features**

The easy-to-install, compact unit features wall-mountable housing, BNC connectors for coaxial cables, and a removable terminal strip for power and RS422 connections. The KTD-314-1 is powered by 9 VAC. A LED video signal indicator displays the status of incoming video and control signals.



### **Standard Features**

- **Converts Digiplex protocol to Pelco protocol**
- **System 9500 Coaxitron interface**
- **Preset control of PTZ receiver**
- **Removable terminal strip**
- **9 VAC power**
- **LED video signal indicator**
- **Compact and wall-mountable**
- **Easy to install**



# KTD-314-1

## Digiplex Code Converter

### Specifications

#### Electrical

- Input voltage: 9 VAC
- Input power: 1.0 VA
- Output port: RS422

#### Data

- RS422 speed: 4800 baud
- Protocol data in: Digiplex RS422
- Protocol data out: Pelco Coaxitron 9500 extended protocol

#### Video

- Input (1): 1 V pk-pk
- Output (1): 1 V pk-pk
- Impedance: Into 75 ohm load, 75 ohm in and out

#### Commands Recognized

- Find preset, set preset, zoom in, zoom out, focus near, focus far, iris open, and iris close

#### Connections

- Power, Digiplex: Four-position removable terminal strip
- Video coax: Two BNC connectors

#### Mechanical

- Weight: 4 oz (113 g)
- Construction: 0.050 in (1.27 mm) aluminum
- Finish: Black anodized

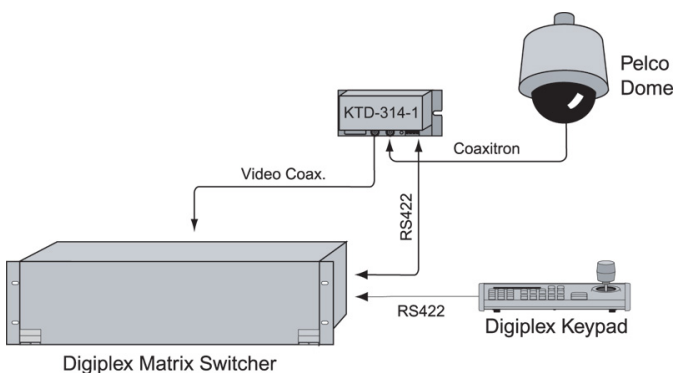
#### Command Translation

- The list below represents compatible commands between GE Security Digiplex controllers and Pelco receivers. For this Pelco result / Use this Digiplex entry:
- IRIS CLOSE/iris close
- IRIS OPEN/iris open
- FOCUS NEAR/focus near
- FOCUS FAR/focus far
- ZOOM WIDE/zoom out
- ZOOM TELE/zoom in
- PRESET SET/set preset
- PRESET GO/find preset

#### Notes

- There is no GE Security equivalent to the Pelco "turbo" button. Instead, maximum joystick deflection on the GE Security keypad produces "turbo" speed in the Pelco dome.
- Pelco "tours," "patterns," "zones," and "zone titling" operations; "zoom" and "focus" speed programming; and "AUX" functions are not supported.

### Related Diagram



### Ordering Information

**KTD-314-1**



Mailing Address  
4575 Research Way, STE 250  
Corvallis, OR 97333 USA  
www.GESecurity.com

Americas  
800-469-1676 (US only)  
tel 541-754-9133  
fax 541-754-7162

Asia  
tel 852-2907-8108  
fax 852-2142-5063  
  
Australia  
tel 61-3-9259-4700  
fax 61-3-9259-4799

Europe  
tel 32-2-725-11-20  
fax 32-2-721-86-13  
  
Latin America  
tel 305-267-4301  
fax 305-267-4300

www.GESecurity.com